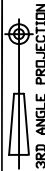
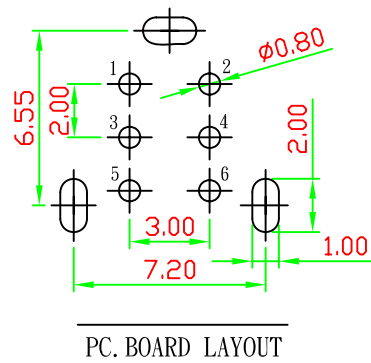
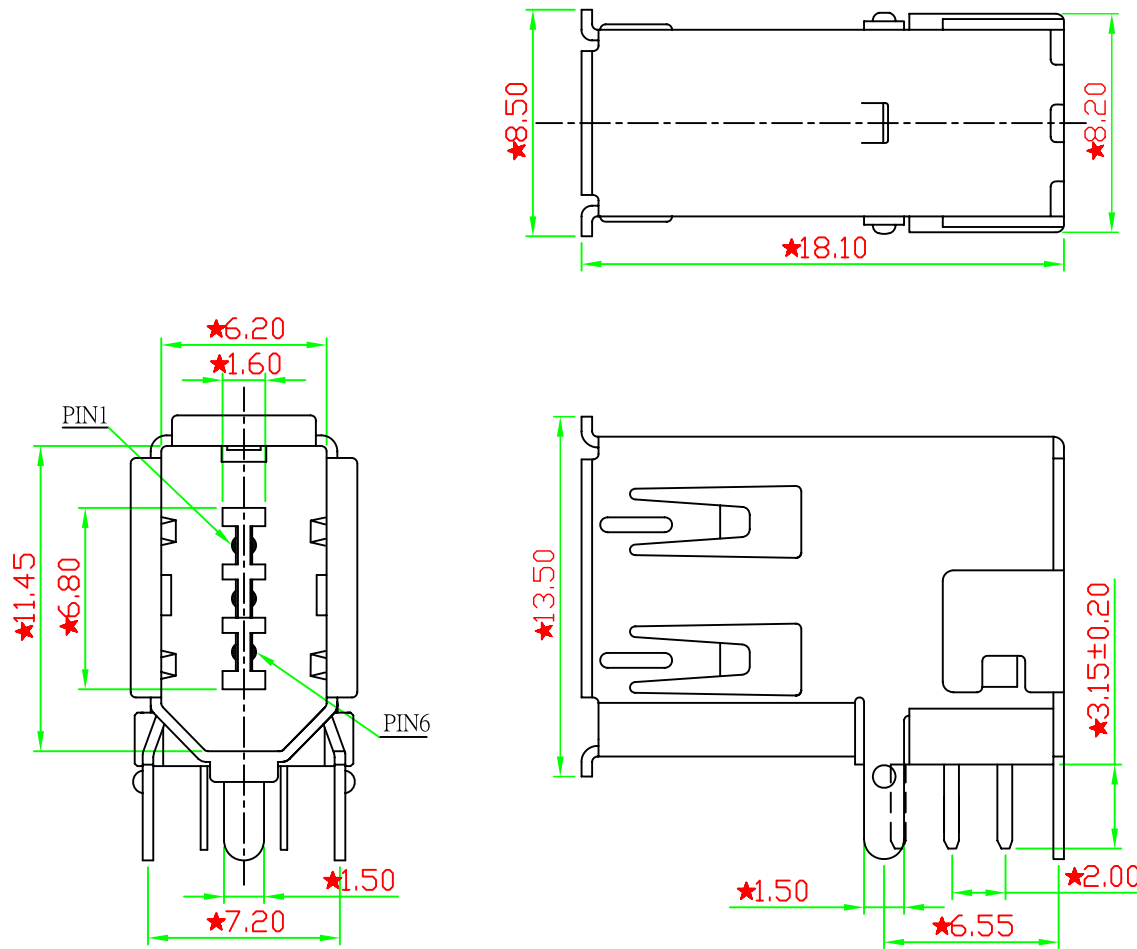


NUMBER C-800072



METRIC

UNIT:mm



MATERIALS:  
 SHELL: BRASS C2680-H T=0.25mm.  
 HOUSING: PBT+GF,UL94V-0.  
 CONTACT: BRASS C2680-H T=0.25mm.  
 FINISH:  
 CONTACT: GOLD(SEE P/N) PLATED ON CONTACT AREA NICKEL UNDERCOATED, TIN ON SOLDER TAIL.  
 SHELL: NICKLE PLATED.  
 ELECTRICAL CHARACTERISTICS:  
 CURRENT RATING: 0.5AMP.  
 VOLTAGE: 50V AC.  
 CURENT: 0.5 AMP MAXIMUM PER CONTACT AT 30°C.  
 CONTACT RESISTANCE: 50 MILLIOHMS MAXIMUM.  
 INSULATION RESISTANCE: 100MEGOHMS MINIMUM.  
 DIALECTIC WITHSTANDING VOLTAGE: 100V AC AT SEE LEVEL.  
 TEMPERATURE: -40°C~85°C .

★ 為重點檢驗尺寸

1-082-800072-006	30u" GOLD*
1-082-800072-005	15u" GOLD*
1-082-800072-004	10u" GOLD*
1-082-800072-003	5u" GOLD*
1-082-800072-002	3u" GOLD*
1-082-800072-001	1u" GOLD*
PART NUMBER	CONTACT PLATING

TOLERANCES UNLESS OTHERWISE SPECIFIED) DWN	Doris.Tsai 10-AUG-2006	<b>GMT</b> GLOBEMASTER TECHNOLOGIES CO.,LTD.						
0 PLC ±0 1 PLC ±0.30 2 PLC ±0.20 3 PLC ±0.10 ANGLES ±3°	CHK Jacky.Lin 10-AUG-2006							
MATERIAL SEE NOTE	APVD Kevin.Ke 10-AUG-2006	NAME 1394 6P/F PC.B RIGHT ANGLE DIP						
FINISH SEE NOTE	WEIGHT -- GRAM	LDC SIZE DWG A3 DRAWING NO C- 800072						
LTR	REVISION RECORD	ECN	DWN	CHK	DATE	SCALE	SHEET	REV
A	FIRST RELEASED	GMT200608-082	Doris.Tsai	Jacky.Lin	08/10	1:1	1 OF 1	A