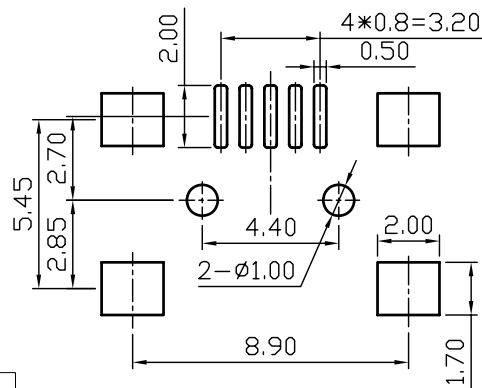
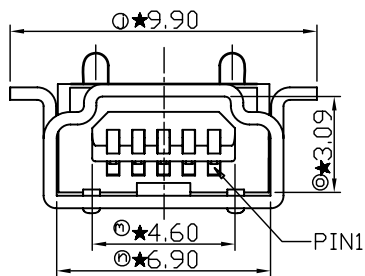
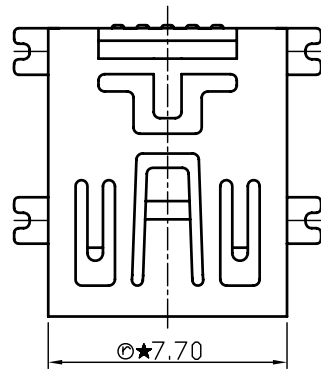
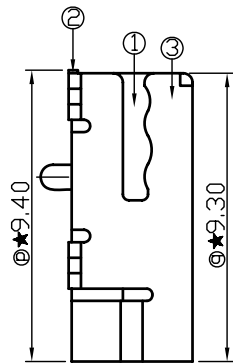
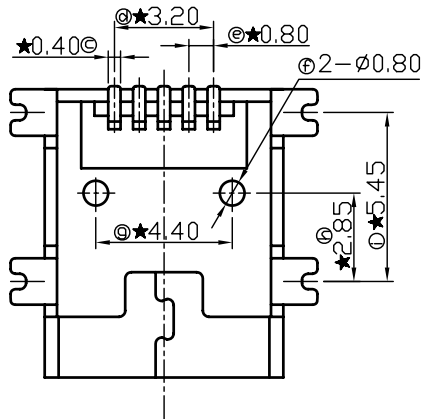
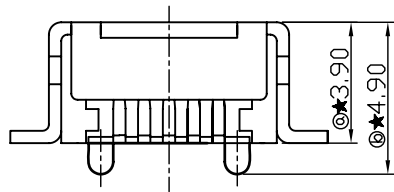


NUMBER C-800046

3RD ANGLE PROJECTION

METRIC

UNIT:mm



PC BOARD LAYOUT

TOLERANCE			
SELECT	1	2	3
0.000 +/-	0.02	0.05	0.10
0.00 +/-	0.05	0.10	0.15
0.0 +/-	0.10	0.15	0.20
0 +/-	0.15	0.20	1.00
ANGLE +/-	1.0	1.0	1.5

A	FIRST RELEASED	GMT200607-146	DATE	08/01
LTR	REVISION RECORD	ECN	DWN	CHK

VOLTAGE RATING
5.0 V
CURRENT RATING
0.5 A
CONTACT RESISTANCE
TERMINAL:50 milliohms max
DIELECTRIC WITHSTANDING VOLTAGE
100 V AC/1min
INSULATION RESISTANCE
100 megohms min
TOTAL MATING FORCE:3.57 kgf max
TOTAL UNMATING FORCE:0.71 kgf min
TEMPERATURE RANGE: -40°C ~85°C

"★"為重點檢驗尺寸

1-082-800046-0XX	W/O
1-082-800046-1XX	W/
PART NUMBER	MYLAR

1-082-800046-X04	30u" GOLD	T&R
1-082-800046-X03	FLASH GOLD	T&R
1-082-800046-X02	30u" GOLD	TUBAL
1-082-800046-X01	FLASH GOLD	TUBAL
PART NUMBER	MIN.GOLDTHICKNESS	PACKING

TOLERANCES UNLESS OTHERWISE SPECIFIED	DWN Doris.Tsai 01-AUG-2006	GMT GLOBEMASTER TECHNOLOGIES CO.,LTD.
	CHK Jacky.Lin 01-AUG-2006	
MATERIAL	APVD James.Char 01-AUG-2006	NAME MINI USB B 5P/F SMT TYPE 有孔
SEE NOTE	WEIGHT -- GRAM	
FINISH	PRODUCT SPEC	LOC SIZE DRAWING NO DW A 3 C-800046
SEE NOTE	SEE NOTE	SCALE 1:1 SHEET 1 OF 1 REV A