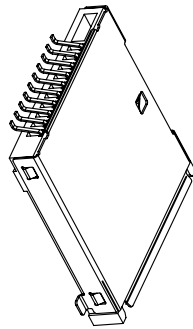
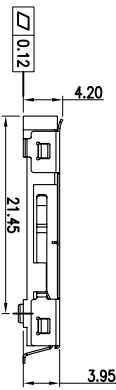
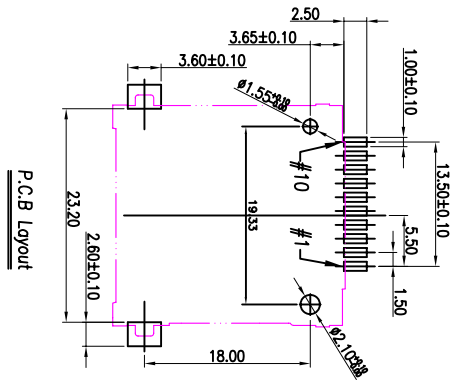
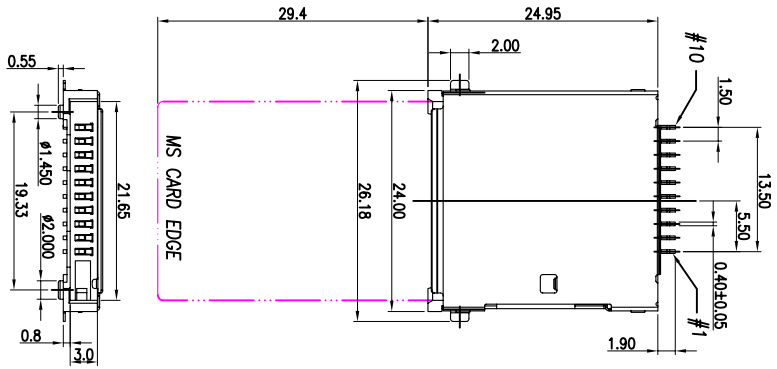




METRIC

UNIT:mm



MS CARD PIN DESIGN

Pin No.	Name
1#	VSS
2#	BS
3#	VCC
4#	DIO
5#	RESERVE
6#	NS
7#	RESERVE
8#	SCLK
9#	VCC
10#	VSS

- NOTES:
1. MATERIAL HOUSING: HIGH TEMPERATURE THERMOPLASTIC. CONTACT: COPPER ALLOY. SHELL: COPPER ALLOY.
 2. PLATING CONTACT AREA: GOLD PLATED OVER Ni. SOLDER TAIL: 100 u" MIN Sn PLATED OVER Ni. SHELL SOLDER AREA: GOLD PLATED OVER Ni.
 3. RATING CURRENT RATING: 0.5A VOLTAGE RATING: 250V_{RM} OPERATING TEMPERATURE: -55? ~+85?
 4. SPECIFICATION CONTACT RESISTANCE: 100m² MAX DIELECTRIC WITHSTANDING VOLTAGE: 500V_{AC} INSULATION RESISTANCE: 100M² MIN INSERTION FORCE: 12N MAX. SEPARATION FORCE: 2N MIN.

1-113-400185	RoHS
0-113-400185	NO RoHS
PART NUMBER	PART NOTE

TOLERANCES UNLESS OTHERWISE SPECIFIED:
 0 PLG ±
 1 PLG ±0.30
 2 PLG ±0.20
 3 PLG ±0.10
 ANGLES ± 5°

MATERIAL	FINISH	DWN	CHK	APVD	WEIGHT	PRODUCT SPEC
SEE NOTE	SEE NOTE	Doris Tsoi 25-JUL-2006	Jacky Lin 25-JUL-2006	James Chan 25-JUL-2006	--- GRAM	---

NAME: **GMT** GLOBEMASTER TECHNOLOGIES CO., LTD.
 MEMORY STICK CONNECTOR
 REVERSE TYPE POST 19.35mm

LTR	REVISION RECORD	ECN	DWN	CHK	DATE
A	FIRST RELEASED	GMT200607-113	06/25	06/25	19/25

LOC	SIZE	DRAWING NO	SCALE	SHEET	REV
DW	A3	C-400183	1:1	1 OF 1	A