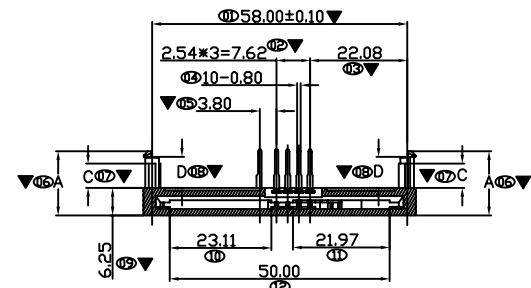


NUMBER C-400133

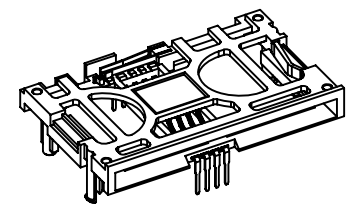
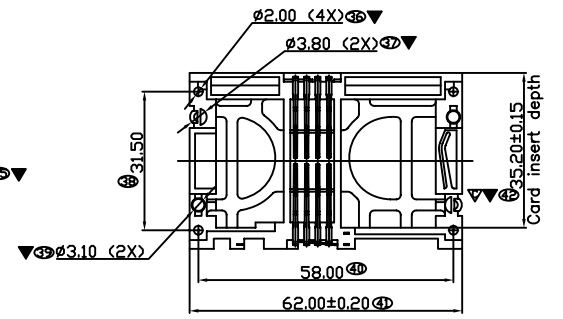
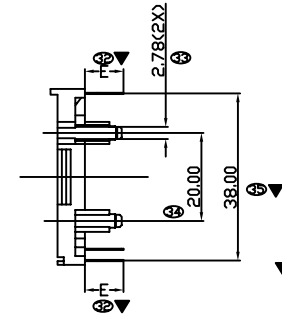
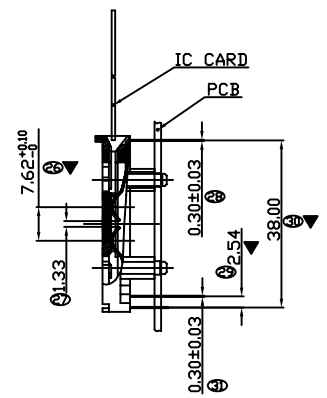
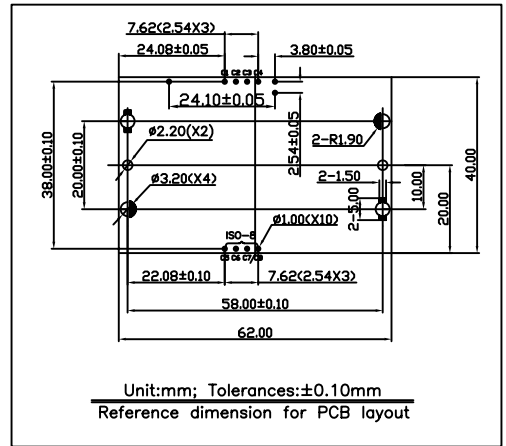
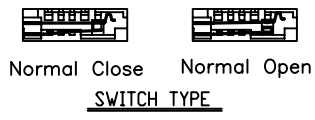
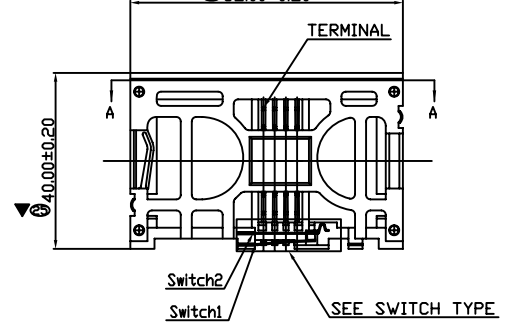
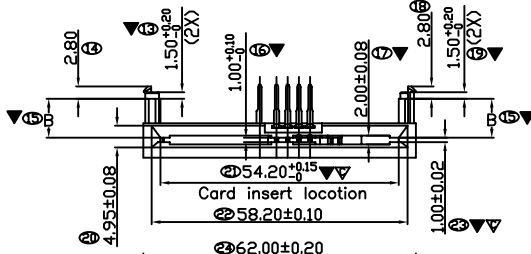
3RD ANGLE PROJECTION

METRIC

UNIT:mm



SECTION A-A



- NOTES:
- MATERIAL:
HOUSING:PBT BLACK; 30% GLASS FIBER; UL 94V-0.
TERMINAL: PHOSPHOR BRONZE C5210R-H T=0.30±0.01mm.
SWITCH1: PHOSPHOR BRONZE C5210R-EH T=0.30±0.01mm.
SWITCH2: PHOSPHOR BRONZE C5210R-EH T=0.30±0.01mm.
 - FINISH:
TERMINAL: 10 MICROINCH GOLD PLATED IN CONTACT AREA.
Switch1,2: 10 MICROINCH GOLD PLATED IN CONTACT AREA.
100 MICROINCH~150 MICROINCH TIN ON SOLDER TAILS.
50 MICROINCH NICKEL UNDERPLATED ALL OVER.
 - BURR IS 0.05 MAX.
 - THE RADIUS ARE 0.15 MAX UNLESS SPECIFIED.
 - THE MARK ▼ DIMENSIONS SHOULD BE CONTROLLED BY QIP.
 - THE MARK ⊕ DIMENSIONS SHOULD BE CONTROLLED BY FAI FROM ⊕ TO ⊕.
 - THE MARK ▼ DIMENSIONS SHOULD BE CONTROLLED BY SPC.

Part/Number	Dimension A	Dimension B	Dimension C (Standoff)	Dimension D	Dimension E	Switch type
1-141-400133-001	12.20	6.45	3.15	4.65	6.35	Normal Close
1-141-400133-002	12.20	6.45	3.15	4.65	6.35	Normal Open
1-141-400133-003	12.55	6.80	3.50	5.00	6.70	Normal Close
1-141-400133-004	12.55	6.80	3.50	5.00	6.70	Normal Open
1-141-400133-005	14.60	8.85	5.55	7.05	8.75	Normal Close
1-141-400133-006	14.60	8.85	5.55	7.05	8.75	Normal Open
1-141-400133-007	9.05	3.30	0	1.50	3.20	Normal Close
1-141-400133-008	9.05	3.30	0	1.50	3.20	Normal Open

TOLERANCES UNLESS OTHERWISE SPECIFIED: 0 PLC ± 1 PLC ±0.30 2 PLC ±0.20 3 PLC ±0.10 ANGLES ±3°	DWN Kevin.Ke 16-JAN-2005 CHK Howard.Wan 16-JAN-2005	GMT GLOBEMASTER TECHNOLOGIES CO.,LTD.
MATERIAL SEE NOTE	APVD James.Chan 16-JAN-2005 WEIGHT XX GRAM	
FINISH SEE NOTE	PRODUCT SPEC SEE NOTE	LOC DW SCALE A3 DRAWING NO C-400133 SHEET 1 OF 1 REV A

A	FIRST RELEASED	GMT200601-001	Kevin.Ke	16	01/16
LTR	REVISION RECORD	ECN	DWN	CHK	DATE