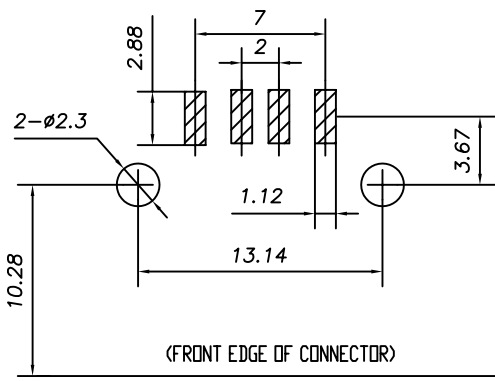
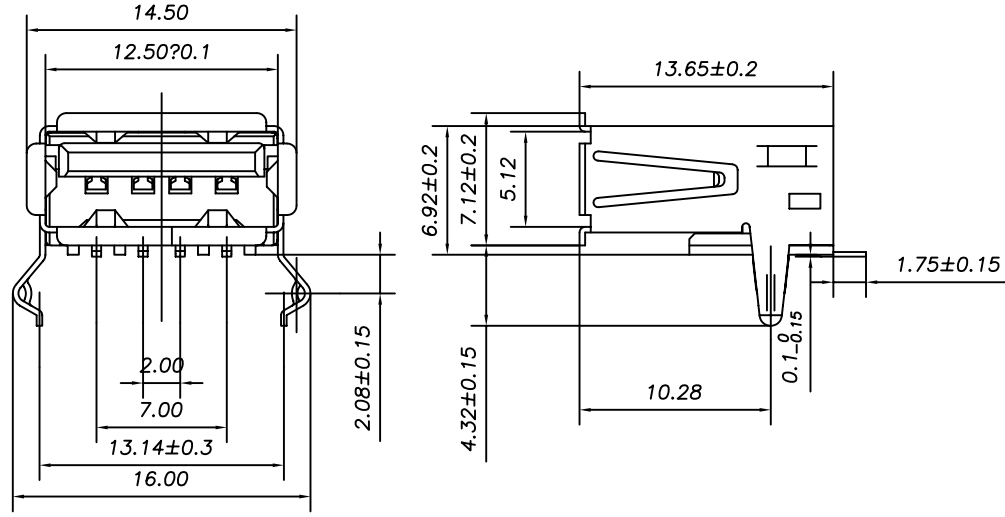


NUMBER C-800038

3RD ANGLE PROJECTION

METRIC

UNIT:mm



P.C.B LAYOUT

NOTE
 1. MATERIAL
 1.1 HOUSING:HIGHT TEMP THERMOPLASTIC, UL94V-0 (SEE TABLE:1)
 1.2 CONTACTS: BRASS(T=0.25mm)
 1.3 SHELL:BRASS(T=0.30mm)
 2. FINISH
 2.1.CONTACTS: GOLD PLATING(SEE TABLE:2) IN CONTACT AREA,100u" MIN. TIN PLATING ON SOLDER TAILS.50u" MIN. NICKEL UNDERPLATING OVER ALL.
 2.2 SHELL: 80u-100u" MIN. NICKEL PLATING. 50u" MIN. Cu UNDERPLATING OVER ALL.
 3.ELECTRICAL CHARACTERISTIC
 3.1.CONTACT RESISTANCE: 30 MILLIOHMS MAX
 3.2.INSULATION RESISTANCE: 1000 MEGA OHMS MIN
 3.3.DIELECTNIC VOLTAGE: 500V AC ONE SEC LEVEL
 3.4.OPERATING TEMPERATURE: -55°C~ 105°C

TABLE:1

XXX-800038-6XX	NYLON 6T(WHITE)
XXX-800038-5XX	LCP(WHITE)
XXX-800038-4XX	PBT(WHITE)
XXX-800038-3XX	NYLON 6T(BLACK)
XXX-800038-2XX	LCP(BLACK)
XXX-800038-1XX	PBT(BLACK)
PART NUMBER	HOUSING MATERIAL

TABLE:2

XXX-800038-X05	30u"GOLD
XXX-800038-X04	15u"GOLD
XXX-800038-X03	10u"GOLD
XXX-800038-X02	5u"GOLD
XXX-800038-X01	GOLD FLASH
PART NUMBER	CONTACT PLATING

TOLERANCES UNLESS OTHERWISE SPECIFIED: 0 PLC ± 1 PLC ±0.30 2 PLC ±0.20 3 PLC ±0.10 ANGLES ±3°	DWN Kevin.Ke 03-SEP-2005	GMT GLOBEMASTER TECHNOLOGIES CO.,LTD.
	CHK SKY HUAN 03-SEP-2005	
SEE NOTE	APVD James.Chan 03-SEP-2005	NAME Single usb a female smt type
	WEIGHT ---	
SEE NOTE	PRODUCT SPEC	LDC SIZE DRAWING NO DW A3 C-800038
	SEE NOTE	SCALE SHEET REV -- 1 OF 1 A

A	FIRST RELEASED	GMT-200509-008	Kevin.Ke	09/03
LTR	REVISION RECORD	ECN	DWN/CHK	DATE