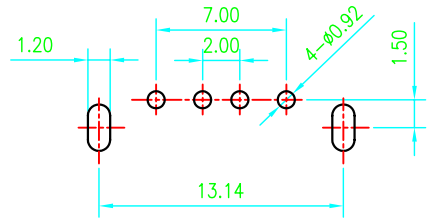
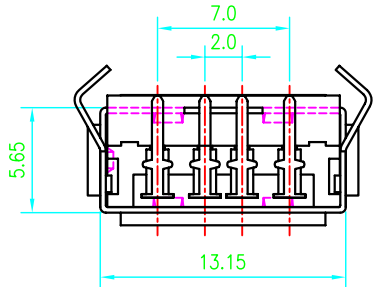
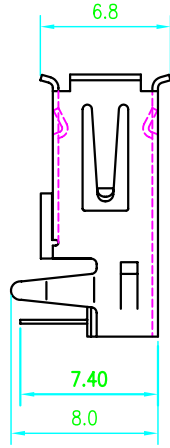
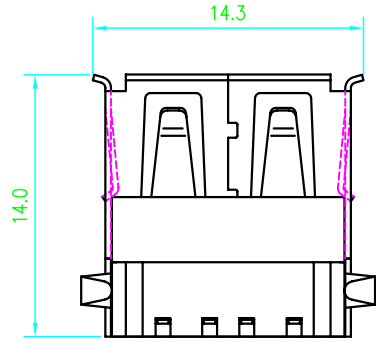


NUMBER
C-800039



METRIC

UNIT:mm



P.C.B LAYOUT

NOTE

- 1. MATERIAL
 - 1.1 HOUSING:HIGHT TEMP THERMOPLASTIC, UL94V-0 (SEE TABLE:1)
 - 1.2 CONTACTS: BRASS(T=0.25mm)
 - 1.3 SHELL:BRASS(T=0.30mm)
- 2. FINISH
 - 2.1.CONTACTS: GOLD PLATING(SEE TABLE:2) IN CONTACT AREA,100u" MIN. TIN PLATING ON SOLDER TAILS.50u" MIN. NICKEL UNDERPLATING OVER ALL.
 - 2.2 SHELL: 80u-100u" MIN. NICKEL PLATING. 50u" MIN. Cu UNDERPLATING OVER ALL.
- 3.ELECTRICAL CHARACTERISTIC
 - 3.1.CONTACT RESISTANCE: 30 MILLIOHMS MAX
 - 3.2.INSULATION RESISTANCE: 1000 MEGA OHMS MIN
 - 3.3.DIELECTNIC VOLTAGE: 500V AC ONE SEC LEVEL
 - 3.4.OPERATING TEMPERATURE: -55°C~ 105°C

TABLE:1

XXX-800039-6XX	NYLON 6T(WHITE)
XXX-800039-5XX	LCP(WHITE)
XXX-800039-4XX	PBT(WHITE)
XXX-800039-3XX	NYLON 6T(BLACK)
XXX-800039-2XX	LCP(BLACK)
XXX-800039-1XX	PBT(BLACK)
PART NUMBER	HOUSING MATERIAL

TABLE:2

XXX-800039-X05	30u"GOLD
XXX-800039-X04	15u"GOLD
XXX-800039-X03	10u"GOLD
XXX-800039-X02	5u"GOLD
XXX-800039-X01	GOLD FLASH
PART NUMBER	CONTACT PLATING

A	FIRST RELEASED	GMT-200509-009	Kevin Chan	09/03
LTR	REVISION RECORD	ECN	DWN	CHK
				DATE

TOLERANCES UNLESS OTHERWISE SPECIFIED: 0 PLC ± 1 PLC ± 0.30 2 PLC ± 0.20 3 PLC ± 0.10 ANGLES ± 3°		DWN Kevin.Ke 03-SEP-2005	GMT GLOBEMASTER TECHNOLOGIES CO.,LTD.
SEE NOTE		CHK SKY HUAN 03-SEP-2005	
SEE NOTE		APVD James.Chan 03-SEP-2005	NAME Single usb a female DIP type low profile
SEE NOTE		WEIGHT ---	LOC A
SEE NOTE		PRODUCT SPEC SEE NOTE	DW A
		FINISH SEE NOTE	DRAWING NO C-800039
			SCALE -
			SHEET 1 OF 1
			REV A